
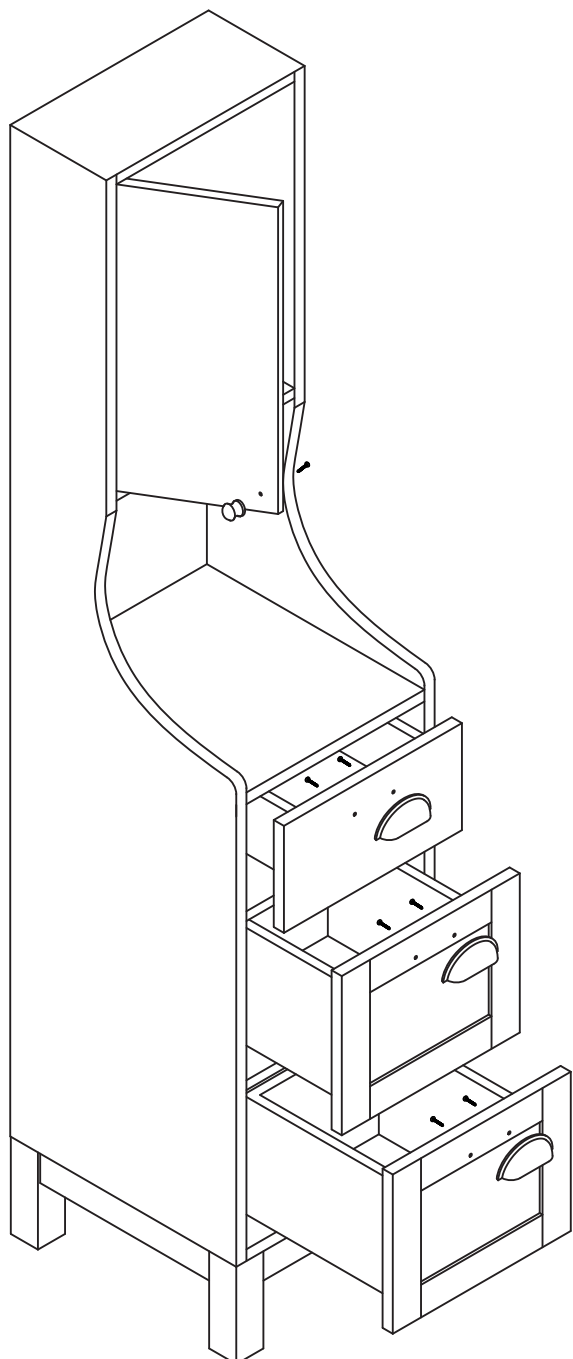


Installation Instructions

Notes: We recommend that you rough-in the drain and water lines after receiving the unit.
The vanity should be installed by a professional plumber.
Drainer pipe and trap are not included.

Part list	A (Side cabinet)					
Photo						
Qty	1					

Step 1: install the handle



Step 2: Adjust the legs

